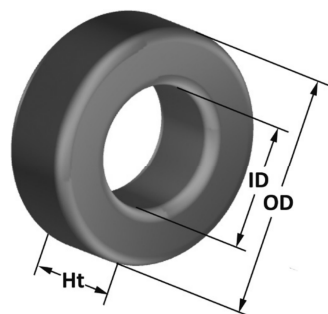
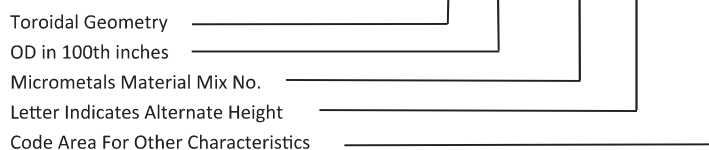


Toroid

(continued)



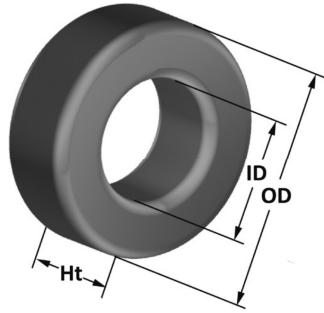
Typical Part Number: **T 106 - 26 B /**



Part Number	Physical Dimensions			Magnetic Dimensions			AL (nH/N ²)	Ref. Perm.	Material	Product Group		
	OD (in/mm)	ID (in/mm)	HT (in/mm)	Ae (cm ²)	le (cm)	Ve (cm ³)				RF	PC	200C
T80-7	0.795 / 20.19	0.495 / 12.57	0.250 / 6.35	0.231	5.14	1.19	5	9	-7	✓		
T80-2							5.5	10	-2	✓	✓	
T80-14							7.4	14	-14		✓	
T80-1							11.5	20	-1	✓		
T80-8/90							18	35	-8	✓	✓	
T80-63							19.5	35	-63			✓
T80-60							31	55	-60			✓
T80-18							31	55	-18		✓	
T80-40							39.5	60	-40		✓	
T80-66							37	66	-66			✓
T80-52							42	75	-52		✓	
T80-26							46	75	-26		✓	
T80-6B	0.795 / 20.19	0.495 / 12.57	0.375 / 9.53	0.347	5.14	1.78	6.8	8.5	-6	✓		
T80-7B							8.4	9	-7	✓		
T80-2B							9.5	10	-2	✓	✓	
T80-14B							11	14	-14		✓	
T80-8B/90							29.5	35	-8	✓	✓	
T80-63B							29.5	35	-63			✓
T80-60B							46.5	55	-60			✓
T80-18B							46.5	55	-18		✓	
T80-40B							59	60	-40		✓	
T80-66B							55	66	-66			✓
T80-52B							63	75	-52		✓	
T80-26B							71	75	-26		✓	
T80-45B							84	100	-45		✓	
T80-17D	0.795 / 20.19	0.495 / 12.57	0.500 / 12.70	0.453	5.14	2.33	4.4	4	-17	✓		
T80-6D							9	8.5	-6	✓		
T80-2D							11	10	-2	✓	✓	
T80-14D							13.3	14	-14		✓	
T80-8D/90							36	35	-8	✓	✓	
T80-40D							79	60	-40		✓	
T80-26D							92	75	-26		✓	
T80-52D							83	75	-52		✓	
T90-8/90	0.900 / 22.86	0.550 / 13.97	0.375 / 9.53	0.395	5.78	2.28	30	35	-8	✓	✓	
T90-18							47	55	-18		✓	
T90-60							47	55	-60			✓
T90-66							56	66	-66			✓
T90-26							70	75	-26		✓	
T90-52							64	75	-52		✓	
T94-0	0.942 / 23.93	0.560 / 14.22	0.312 / 7.92	0.362	5.97	2.16	1.06	1	-0	✓		
T94-17							2.9	4	-17	✓		
T94-10							5.8	6	-10	✓		
T94-6							7	8.5	-6	✓		
T94-2							8.4	10	-2	✓	✓	

Toroid

(continued)



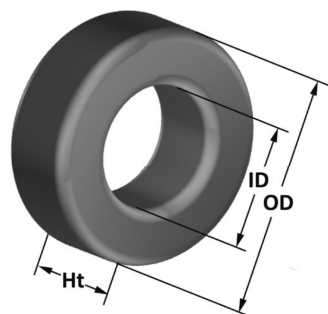
Typical Part Number: **T 106 - 26 B /**

Toroidal Geometry _____
 OD in 100th inches _____
 Micrometals Material Mix No. _____
 Letter Indicates Alternate Height _____
 Code Area For Other Characteristics _____

Part Number	Physical Dimensions			Magnetic Dimensions			AL (nH/N ²)	Ref. Perm.	Material	Product Group		
	OD (in/mm)	ID (in/mm)	HT (in/mm)	Ae (cm ²)	le (cm)	Ve (cm ³)				RF	PC	200C
T94-14	0.942 / 23.93	0.560 / 14.22	0.312 / 7.92	0.362	5.97	2.16	10	14	-14		✓	
T94-15							20	25	-15	✓		
T94-8/90							25	35	-8	✓	✓	
T94-63							26	35	-63			✓
T94-60							42	55	-60			✓
T94-18							42	55	-18		✓	
T94-40							49	60	-40		✓	
T94-66							50	66	-66			✓
T94-52							57	75	-52		✓	
T94-26							60	75	-26		✓	
T95-26B	0.942 / 23.93	0.495 / 12.57	0.375 / 9.53	0.51	5.72	2.91	84	75	-26		✓	
T95-52B							84	75	-52		✓	
T94-26D	0.942 / 23.93	0.560 / 14.22	0.625 / 15.88	0.724	5.97	4.32	115	75	-26		✓	
T106-18A	1.060 / 26.92	0.570 / 14.48	0.312 / 7.92	0.461	6.49	3.00	49	55	-18		✓	
T106-40A							58	60	-40		✓	
T106-66A							59	66	-66			✓
T106-52A							67	75	-52		✓	
T106-26A							67	75	-26		✓	
T106-0	1.060 / 26.92	0.570 / 14.48	0.437 / 11.10	0.659	6.49	4.28	1.9	1	-0	✓		
T106-17							5.1	4	-17	✓		
T106-10							8.5	6	-10	✓		
T106-6							11.6	8.5	-6	✓		
T106-7							13.3	9	-7	✓		
T106-2							13.5	10	-2	✓	✓	
T106-14							17	14	-14		✓	
T106-1							28	20	-1	✓		
T106-30							30	22	-30		✓	
T106-34							40	33	-34		✓	
T106-35							40	33	-35		✓	
T106-63							44.5	35	-63			✓
T106-8/90							45	35	-8	✓	✓	
T106-3							45	35	-3	✓		
T106-60							70	55	-60			✓
T106-18							70	55	-18		✓	
T106-40							81	60	-40		✓	
T106-66							84	66	-66			✓
T106-26							93	75	-26		✓	
T106-52							95	75	-52		✓	
T106-45							125	100	-45		✓	
T106-17B	1.060 / 26.92	0.570 / 14.48	0.575 / 14.61	0.858	6.49	5.57	6.6	4	-17	✓		
T106-10B							11.1	6	-10	✓		
T106-6B							15.2	8.5	-6	✓		
T106-2B							17.6	10	-2	✓	✓	
T106-34B							55	33	-34		✓	

Toroid

(continued)



Typical Part Number: **T 106 - 26 B /**

Toroidal Geometry
 OD in 100th inches
 Micrometals Material Mix No.
 Letter Indicates Alternate Height
 Code Area For Other Characteristics

Part Number	Physical Dimensions			Magnetic Dimensions			AL (nH/N ²)	Ref. Perm.	Material	Product Group		
	OD (in/mm)	ID (in/mm)	HT (in/mm)	Ae (cm ²)	le (cm)	Ve (cm ³)				RF	PC	200C
T106-63B	1.060 / 26.92	0.570 / 14.48	0.575 / 14.61	0.858	6.49	5.57	57	35	-63			✓
T106-60B							91	55	-60			✓
T106-18B							91	55	-18		✓	
T106-40B							106	60	-40		✓	
T106-66B							109	66	-66			✓
T106-52B							124	75	-52		✓	
T106-26B							124	75	-26		✓	
T124-26	1.245 / 31.62	0.710 / 18.03	0.280 / 7.11	0.459	7.75	3.55	58	75	-26		✓	
T130-40A	1.300 / 33.02	0.780 / 19.81	0.225 / 5.72	0.361	8.28	2.99	34	60	-40		✓	
T130-52A							41	75	-52		✓	
T130-26A							41	75	-26		✓	
T130-0	1.300 / 33.02	0.780 / 19.81	0.437 / 11.10	0.698	8.28	5.78	1.5	1	-0	✓		
T130-17							4	4	-17	✓		
T130-10							6.83	6	-10	✓		
T130-6							9.6	8.5	-6	✓		
T130-7							10.3	9	-7	✓		
T130-2							11	10	-2	✓	✓	
T130-14							14	14	-14		✓	
T130-30							25	22	-30		✓	
T130-15							25	25	-15	✓		
T130-34							33.5	33	-34		✓	
T130-8/90							35	35	-8	✓	✓	
T130-63							36	35	-63			✓
T130-3							35	35	-3	✓		
T130-18							58	55	-18		✓	
T130-60							58	55	-60			✓
T130-66							69	66	-66			✓
T130-26							81	75	-26		✓	
T130-52							79	75	-52		✓	
T130-45							105	100	-45		✓	
T132-26	1.300 / 33.02	0.700 / 17.78	0.437 / 11.10	0.805	7.96	6.41	103	75	-26		✓	
T132-52							95	75	-52		✓	
T131-6	1.300 / 33.02	0.640 / 16.26	0.437 / 11.10	0.885	7.72	6.84	13.2	8.5	-6	✓		
T131-35							46.5	33	-35		✓	
T131-34							46.5	33	-34		✓	
T131-63							52.5	35	-63			✓
T131-8/90							52.5	35	-8	✓	✓	
T131-18							79	55	-18		✓	
T131-40							93	60	-40		✓	
T131-26							116	75	-26		✓	
T131-52							108	75	-52		✓	
T141-8/90	1.415 / 35.94	0.880 / 22.35	0.412 / 10.46	0.674	9.14	6.16	32	35	-8	✓	✓	
T141-26							75	75	-26		✓	
T141-52							69	75	-52		✓	